

THIS IS ONLY A REPRESENTATION OF RD1 DESIGN
THE ACTUAL DESIGN FILES ARE ORCAD BASED.

PCB ISSUE			SCHEMATIC ISSUE		
PANEL	RD1	RD50	PANEL	RD1	RD50
00.00			00.00		
01.00	12.00	02.00	01.00	12.00	02.01
02.00	13.00	02.00	02.00	13.00	02.02

Board Issue	Manu-Pack Issue Date	First Schema Issue	Last Schema Issue
01.00		01.00	01.00
02.00		02.00	02.00

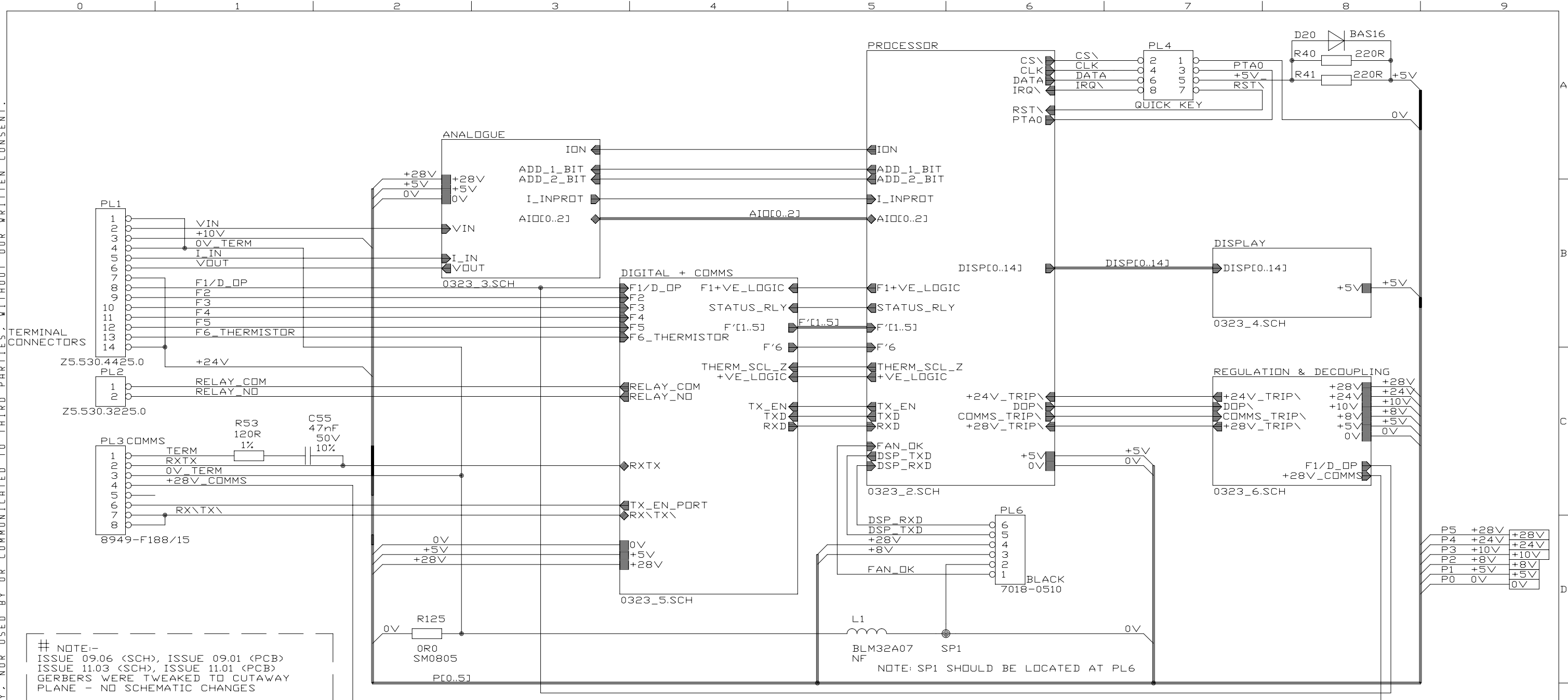
THIS DRAWING IS UNCONTROLLED WHEN PRINTED
 THE DESIGNS AND INFORMATION HELD ON THESE DRAWINGS ARE THE PROPERTY OF CONTROL TECHNIQUES Ltd.
 THEY MUST NOT BE COPIED IN ANY WAY, NOR USED BY OR COMMUNICATED TO THIRD PARTIES WITHOUT WRITTEN CONSENT.

	Drawn	Checked	Approved
Initials	Originator	Checker	Approver
Date	Date	Date	Date

Product name COMM SE	Board Name RDFOB5	Drawing Name COMM SE SIZE 5 FOB
Sheet Title Sheet Description - complete all sections in yellow		

DRG No. 7032-0007	ISSUE 02.00
SHT No. 1	Of @Hier
SHT SIZE A2	Page 1 of 2

THE DESIGN AND INFORMATION HELD ON THESE DRAWINGS ARE THE PROPERTY OF CONTROL TECHNIQUES Plc. THEY MUST NOT BE COPIED IN ANYWAY, NOR USED BY OR COMMUNICATED TO THIRD PARTIES, WITHOUT OUR WRITTEN CONSENT.



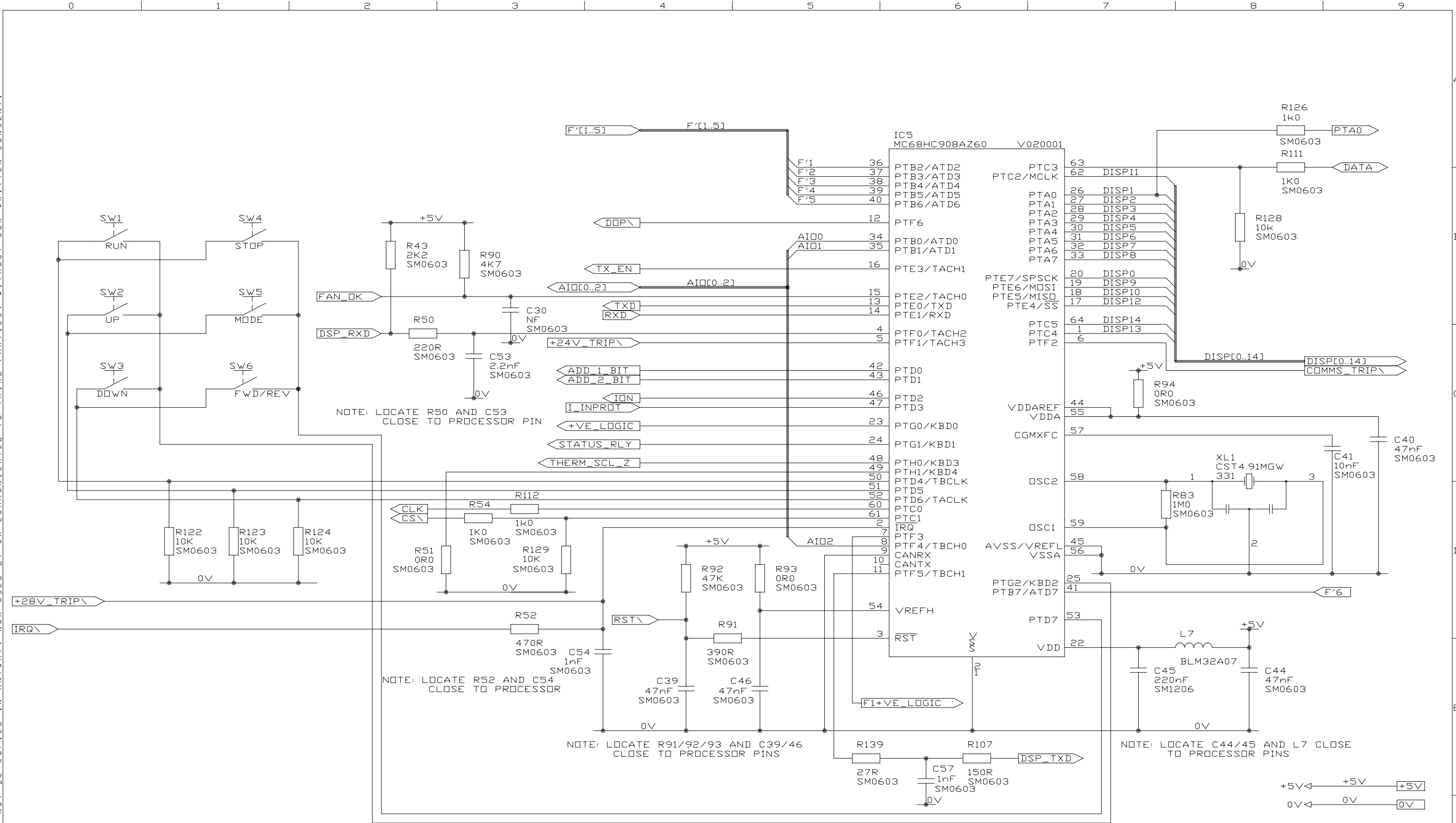
NOTE:-
 ISSUE 09.06 (SCH), ISSUE 09.01 (PCB)
 ISSUE 11.03 (SCH), ISSUE 11.01 (PCB)
 GERBERS WERE TWEAKED TO CUTAWAY
 PLANE - NO SCHEMATIC CHANGES

SCHEMATIC	BOARD	SCHEMATIC	BOARD	SCHEMATIC	BOARD
A	A	08.00	08.00	11.02	11.00
01.00	01.00	08.10	08.00	11.03	11.01
02.00	02.00	09.00	09.00	11.04	11.01
03.00	03.00	09.01	09.00	12.00	12.00
04.00	04.00	09.02	09.00	13.00	13.00
05.00	05.00	09.03	09.00		
06.00	06.00	09.04	09.00		
06.10	06.00	09.05	09.00		
07.00	07.00	09.06	09.01		
07.10	07.00	10.00	10.00		
07.01	07.00	11.00	11.00		
07.11	07.00	11.01	11.00		

12.00	17/01/02	G.J.H.				DRAWN	 A DIVISION OF EMERSON ELECTRIC Co.	TITLE		RD1 - CONTROL	
11.04	03/04/02	G.J.H.				T.J.J.		DATE			
11.03	25/01/02	G.J.H.						APPROVED		PART NO.	
11.02	22/10/01	G.J.H.	13.00	17/04/02	G.J.H.		APPROVED		SUPERCEDES		
ISSUE	DATE	INITIALS	ISSUE	DATE	INITIALS	SCALE	SUBCONTRACTOR		DRG.NO.		
						N/A	THIS DRAWING IS UNCONTROLLED		7002-0323		
									SHT	ISSUE	
									1 OF 6	13.00	

A
B
C
D
E
F
A3

THE DESIGN AND INFORMATION HELD ON THESE DRAWINGS ARE THE PROPERTY OF CONTROL TECHNIQUES Plc. THEY MUST NOT BE COPIED IN ANYWAY, NOR USED BY OR COMMUNICATED TO THIRD PARTIES, WITHOUT OUR WRITTEN CONSENT.



DRAWN
T.J.J.
DATE
APPROVED
SCALE
N/A


CONTROL TECHNIQUES
A DIVISION OF EMERSON ELECTRIC Co.
CONTROL TECHNIQUES THE GRO NEWTOWN POWYS UK SY16 3BE

THIS DRAWING IS UNCONTROLLED

TITLE
RD1 - CONTROL PROCESSOR

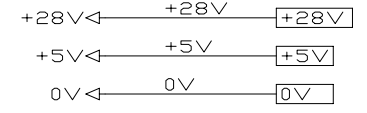
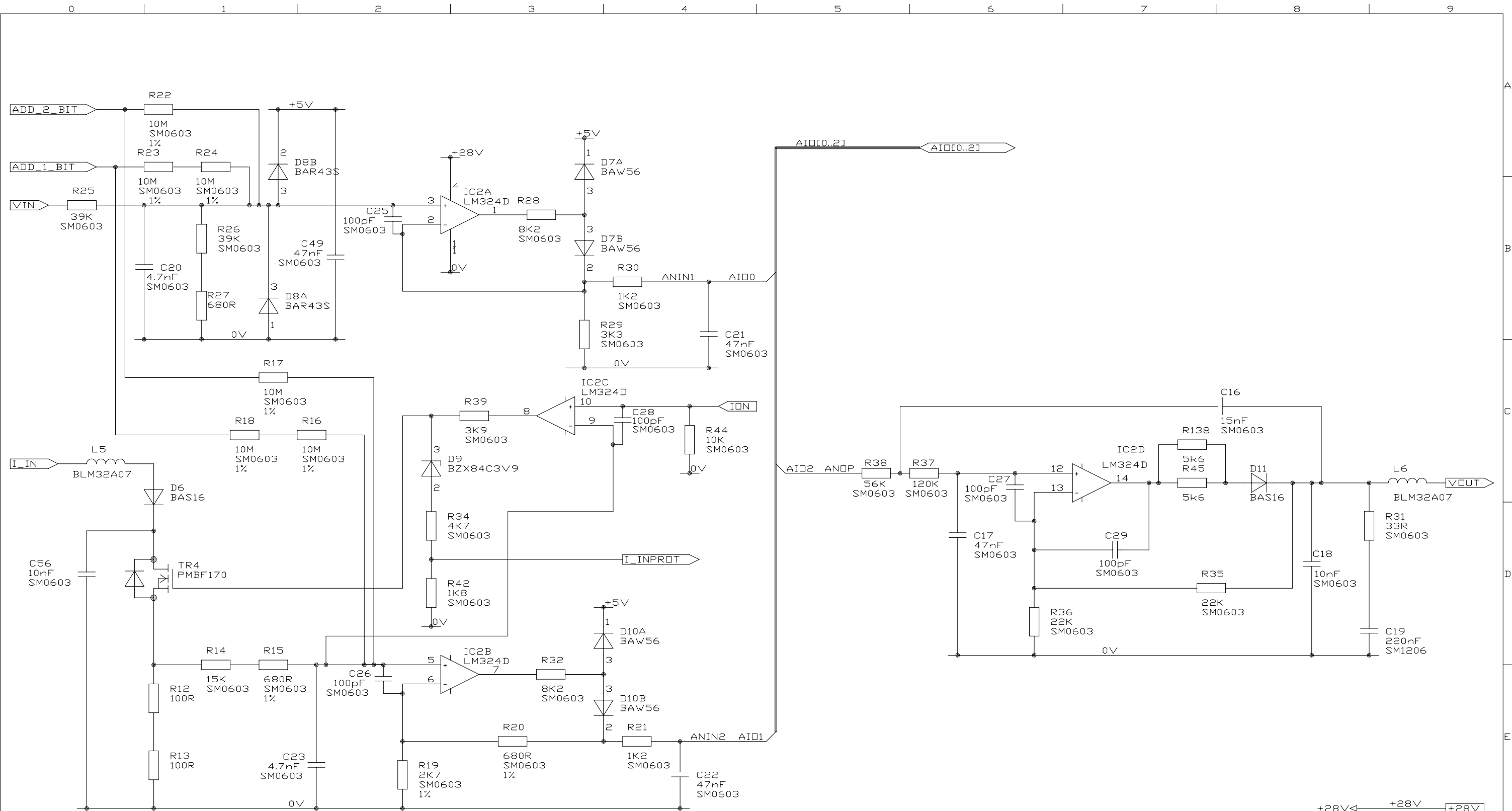
PART NO.
SUPERCEDES

DRG.NO.
7002-0323

SHT
2 OF 6


ISSUE
13.00

THE DESIGN AND INFORMATION HELD ON THESE DRAWINGS ARE THE PROPERTY OF CONTROL TECHNIQUES PLC. THEY MUST NOT BE COPIED IN ANYWAY, NOR USED BY OR COMMUNICATED TO THIRD PARTIES, WITHOUT OUR WRITTEN CONSENT.



12.00	17/01/02	G.J.H.			
11.04	03/04/02	G.J.H.			
11.03	25/01/02	G.J.H.			
11.02	22/10/01	G.J.H.	13.00	17/04/02	G.J.H.
ISSUE	DATE	INITIALS	ISSUE	DATE	INITIALS

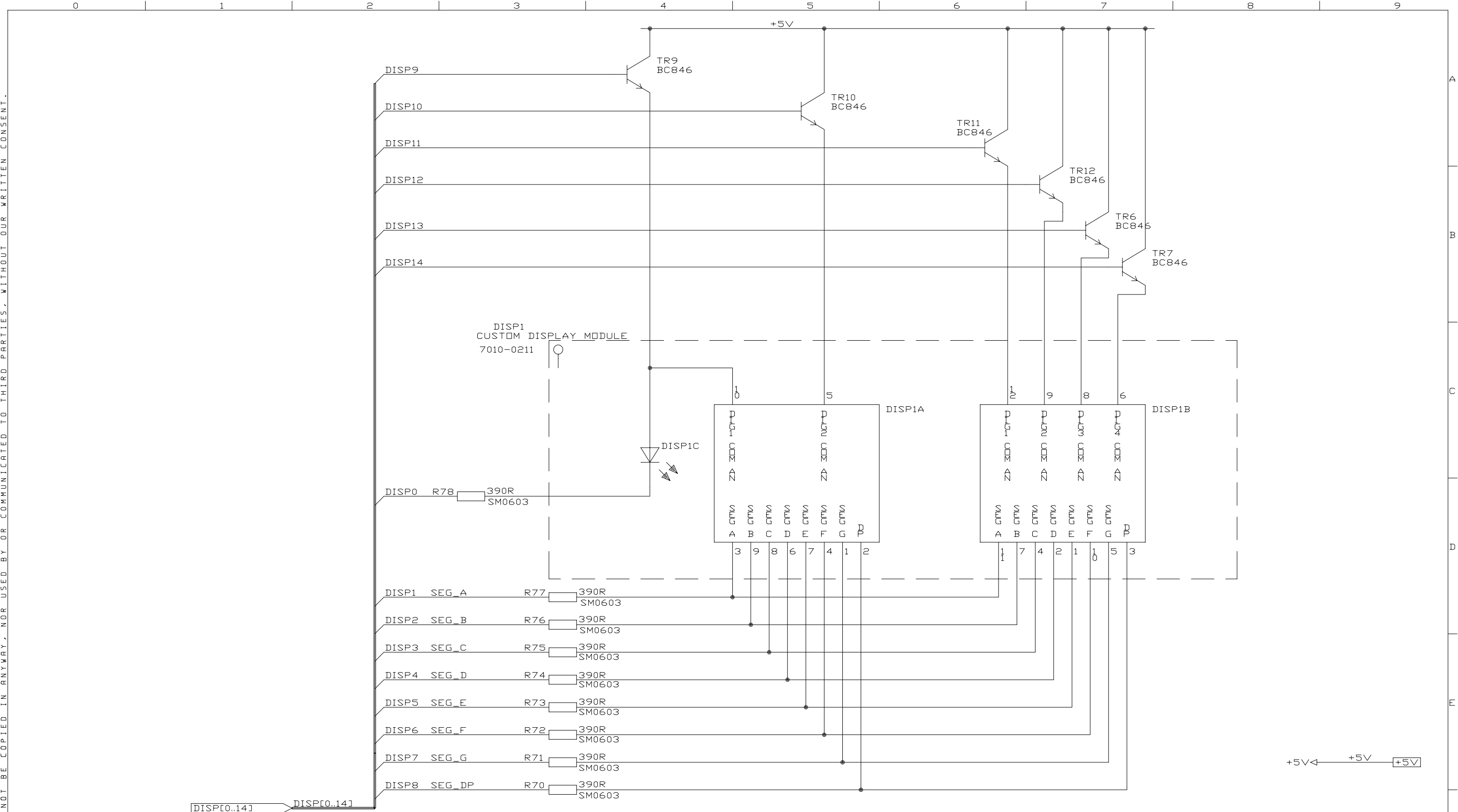
DRAWN
T.J.J.
DATE
APPROVED
SCALE
N/A


CONTROL TECHNIQUES
A DIVISION OF EMERSON ELECTRIC Co.
CONTROL TECHNIQUES THE GRO NEWTOWN POWYS UK SY16 3BE

SUBCONTRACTOR
THIS DRAWING IS UNCONTROLLED


TITLE RD1 - CONTROL ANALOGUE	
PART NO.	SUPERCEDES
DRG.NO. 7002-0323	SHT 3 OF 6
	ISSUE 13.00

THE DESIGN AND INFORMATION HELD ON THESE DRAWINGS ARE THE PROPERTY OF CONTROL TECHNIQUES PLC. THEY MUST NOT BE COPIED IN ANYWAY, NOR USED BY OR COMMUNICATED TO THIRD PARTIES, WITHOUT OUR WRITTEN CONSENT.



12.00	17/01/02	G.J.H.			
11.04	03/04/02	G.J.H.			
11.03	25/01/02	G.J.H.			
11.02	22/10/01	G.J.H.	13.00	17/04/02	G.J.H.
ISSUE	DATE	INITIALS	ISSUE	DATE	INITIALS

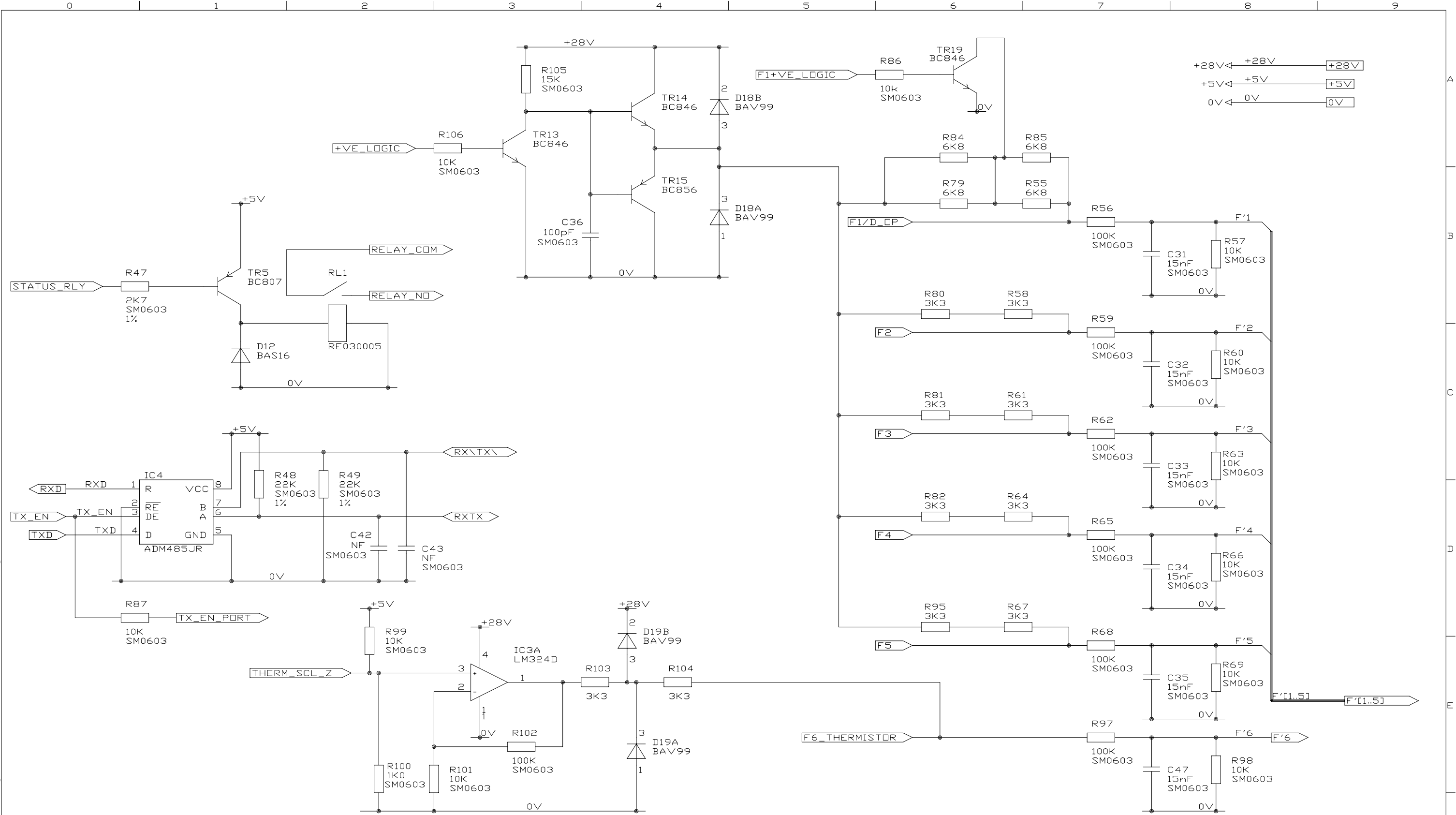
DRAWN
T.J.J.
DATE
APPROVED
SCALE
N/A


CONTROL TECHNIQUES
A DIVISION OF EMERSON ELECTRIC Co.
CONTROL TECHNIQUES THE GRO NEWTOWN POWYS UK SY16 3BE

SUBCONTRACTOR
THIS DRAWING IS UNCONTROLLED


TITLE RD1 - CONTROL DISPLAY	
PART NO.	SUPERCEDES
DRG.NO. 7002-0323	SHT 4 OF 6
	ISSUE 13.00

THE DESIGN AND INFORMATION HELD ON THESE DRAWINGS ARE THE PROPERTY OF CONTROL TECHNIQUES Plc. THEY MUST NOT BE COPIED IN ANYWAY, NOR USED BY OR COMMUNICATED TO THIRD PARTIES, WITHOUT OUR WRITTEN CONSENT.



12.00	17/01/02	G.J.H.			
11.04	03/04/02	G.J.H.			
11.03	25/01/02	G.J.H.			
11.02	22/10/01	G.J.H.	13.00	17/04/02	G.J.H.
ISSUE	DATE	INITIALS	ISSUE	DATE	INITIALS

DRAWN	T.J.J.
DATE	
APPROVED	
SCALE	N/A



CONTROL TECHNIQUES

A DIVISION OF EMERSON ELECTRIC Co.

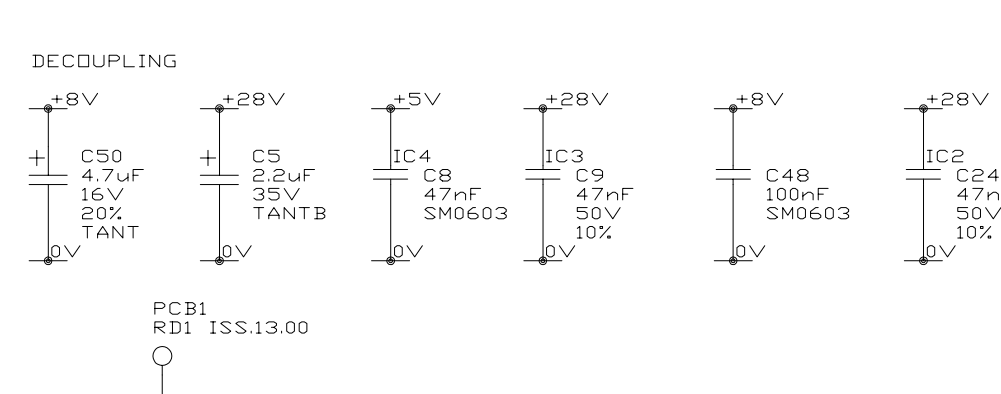
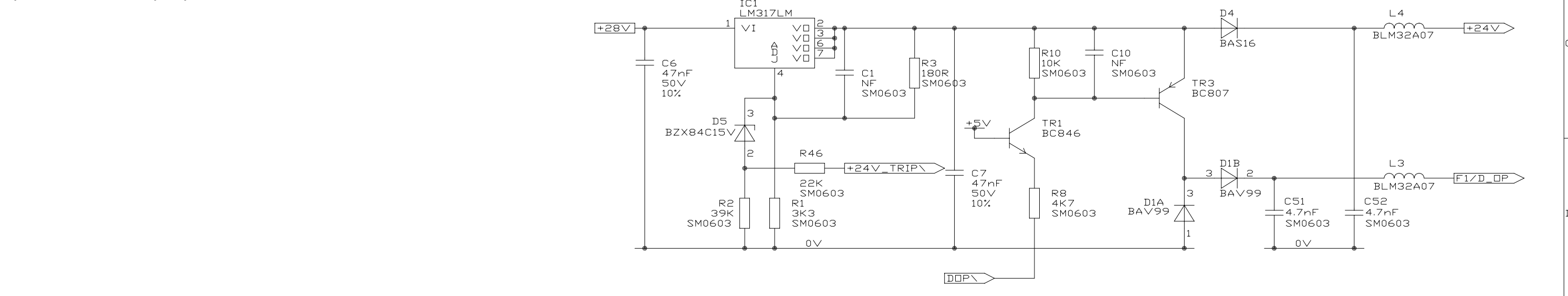
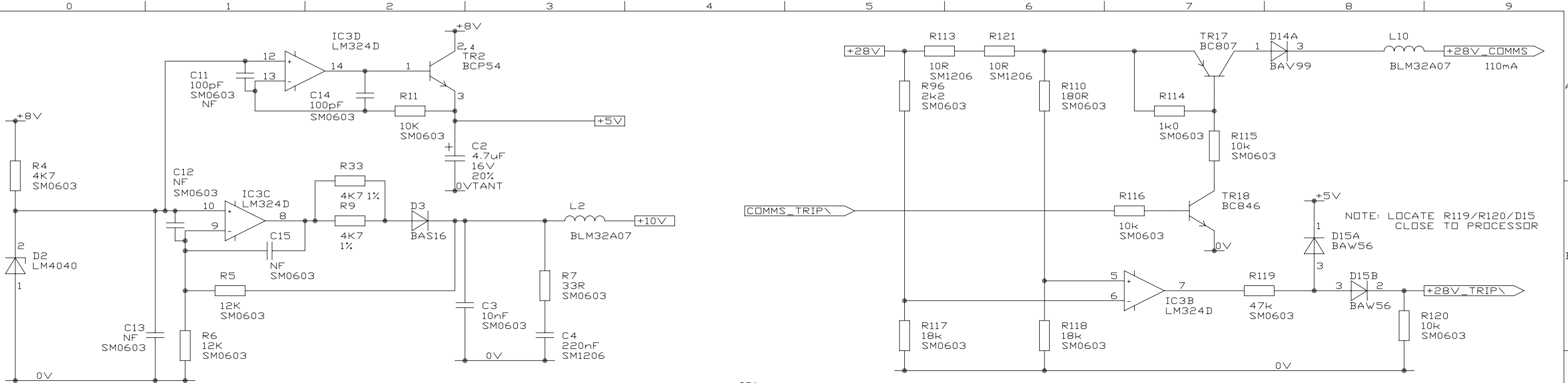
CONTROL TECHNIQUES THE GRO NEWTOWN POWYS UK SY16 3BE

SUBCONTRACTOR

THIS DRAWING IS UNCONTROLLED

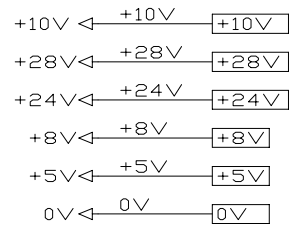
TITLE		RD1 - CONTROL DIGITAL & COMMS	
PART NO.		SUPERCEDES	
DRG.NO.		ISSUE	
7002-0323		13.00	
SHT		5 OF 6	

THE DESIGN AND INFORMATION HELD ON THESE DRAWINGS ARE THE PROPERTY OF CONTROL TECHNIQUES Plc. THEY MUST NOT BE COPIED IN ANYWAY, NOR USED BY OR COMMUNICATED TO THIRD PARTIES, WITHOUT OUR WRITTEN CONSENT.




POWER

IC	SHEET	+5V	0V	+28V	NOTES:
1	6			1	PLEASE SEE SHEET FOR VVDA(55) & VSSA(56)
2	3		11	4	
3	5		11	4	
4	5	8	5		
5	2		21		



ISSUE	DATE	INITIALS	ISSUE	DATE	INITIALS
12.00	17/01/02	G.J.H.			
11.04	03/04/02	G.J.H.			
11.03	25/01/02	G.J.H.			
11.02	22/10/01	G.J.H.	13.00	17/04/02	G.J.H.

DRAWN T.J.J.
 DATE
 APPROVED
 SCALE N/A

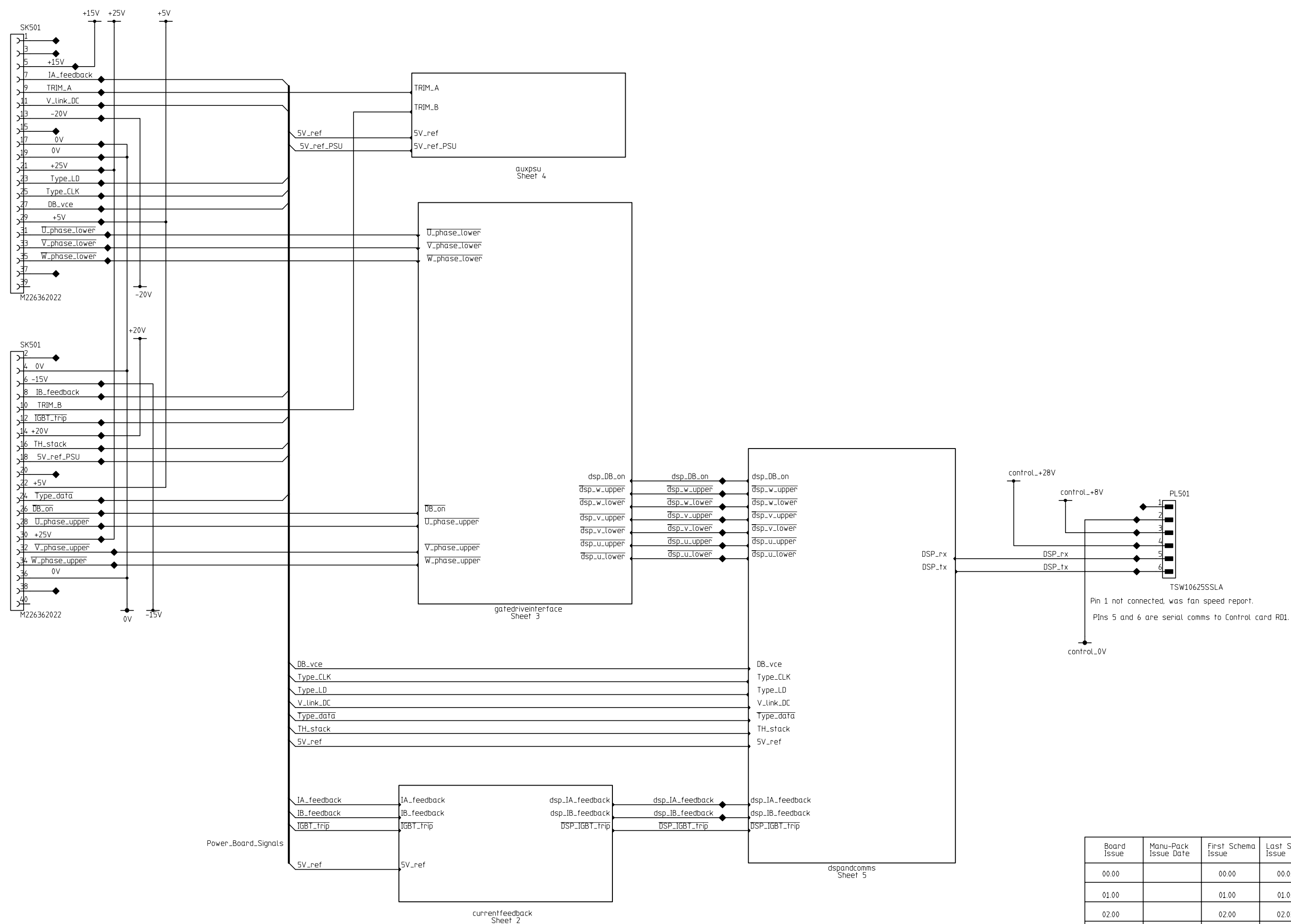

CONTROL TECHNIQUES
A DIVISION OF EMERSON ELECTRIC Co.
CONTROL TECHNIQUES THE GRO NEWTOWN POWYS UK SY16 3BE

THIS DRAWING IS UNCONTROLLED

TITLE **RD1 - CONTROL REGULATION & DECOUPLING**

PART NO. SUPERCEDES

DRG.NO. **7002-0323** SHT 6 OF 6 ISSUE 13.00



Board Issue	Manu-Pack Issue Date	First Schema Issue	Last Schema Issue
00.00		00.00	00.01
01.00		01.00	01.01
02.00		02.00	02.02

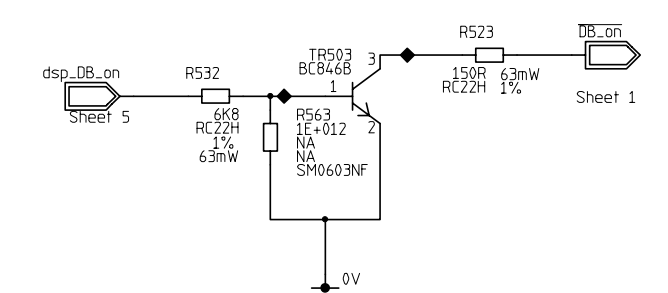
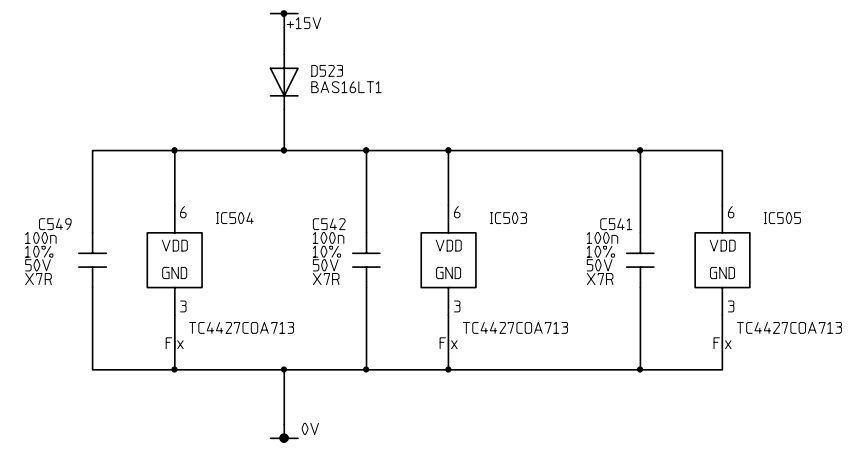
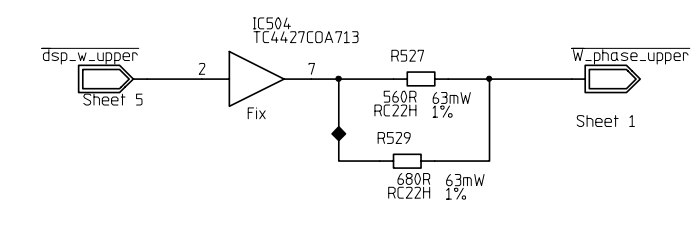
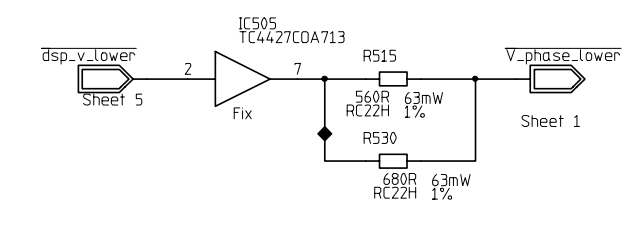
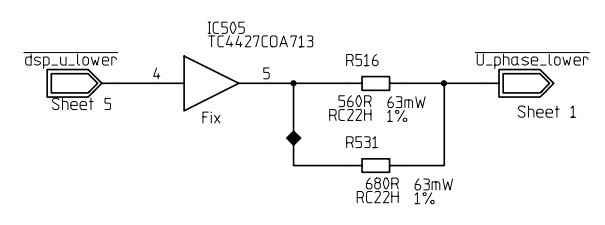
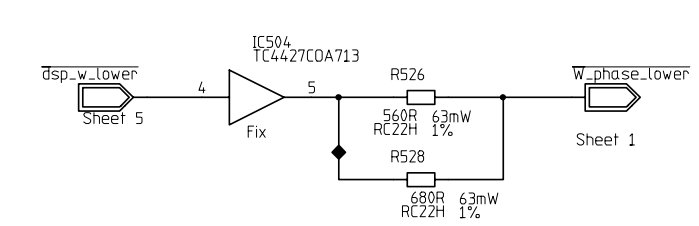
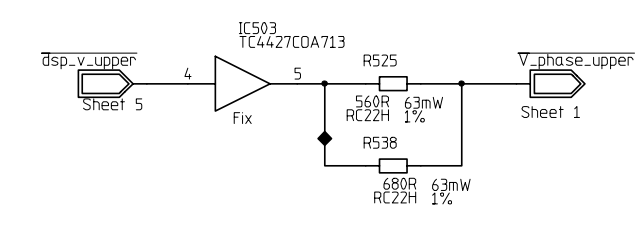
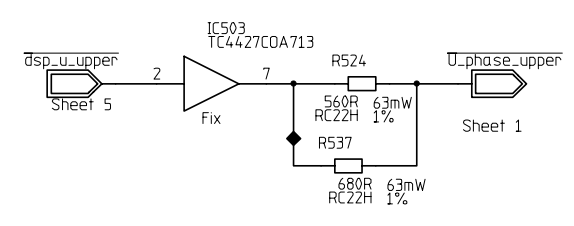
THIS DRAWING IS UNCONTROLLED WHEN PRINTED
 THE DESIGNS AND INFORMATION HELD ON THESE DRAWINGS ARE THE PROPERTY OF CONTROL TECHNIQUES Ltd.
 THEY MUST NOT BE COPIED IN ANY WAY, NOR USED BY OR COMMUNICATED TO THIRD PARTIES WITHOUT WRITTEN CONSENT.

Drawn	Checked	Approved
Initials	Checker	Approver
Date	Date	Date



Product name: COMM SE
 Board Name: RD50
 Drawing Name: FRAME 5 INTERFACE CARD
 Sheet Title: Block diagram of RD50 Commander SE frame 5 interface card.

DRG No.	7002-1041	ISSUE	02.02
SHT No.	1	Of	5
SHT SIZE			A2



THIS DRAWING IS UNCONTROLLED WHEN PRINTED

THE DESIGNS AND INFORMATION HELD ON THESE DRAWINGS ARE THE PROPERTY OF CONTROL TECHNIQUES Ltd. THEY MUST NOT BE COPIED IN ANY WAY, NOR USED BY OR COMMUNICATED TO THIRD PARTIES WITHOUT WRITTEN CONSENT

Drawn	Checked	Approved
Initials	Checker	Approver
Date	Date	Date

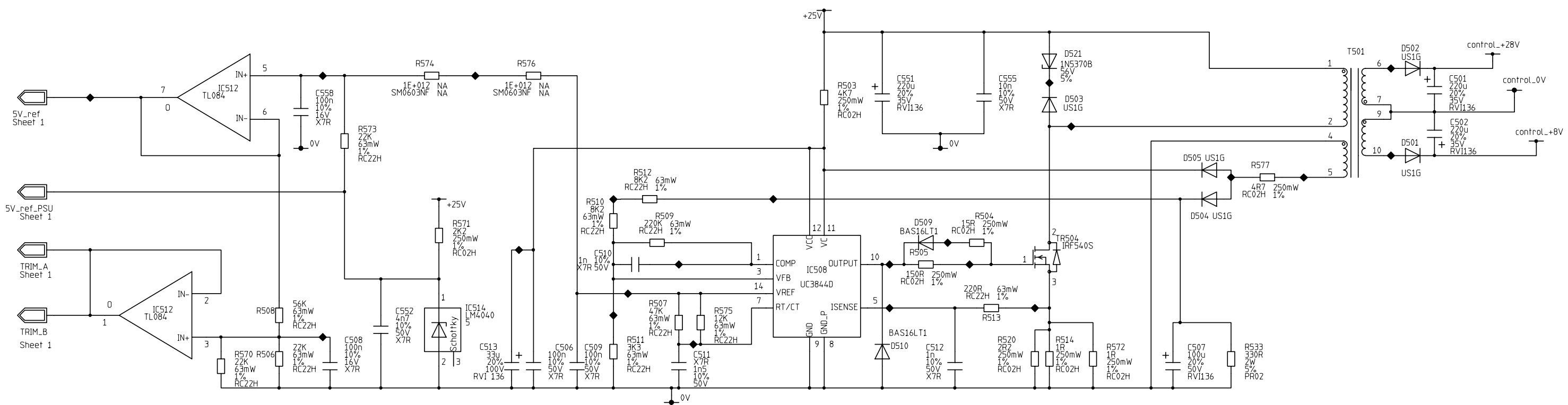
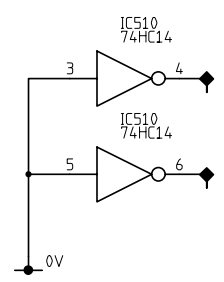
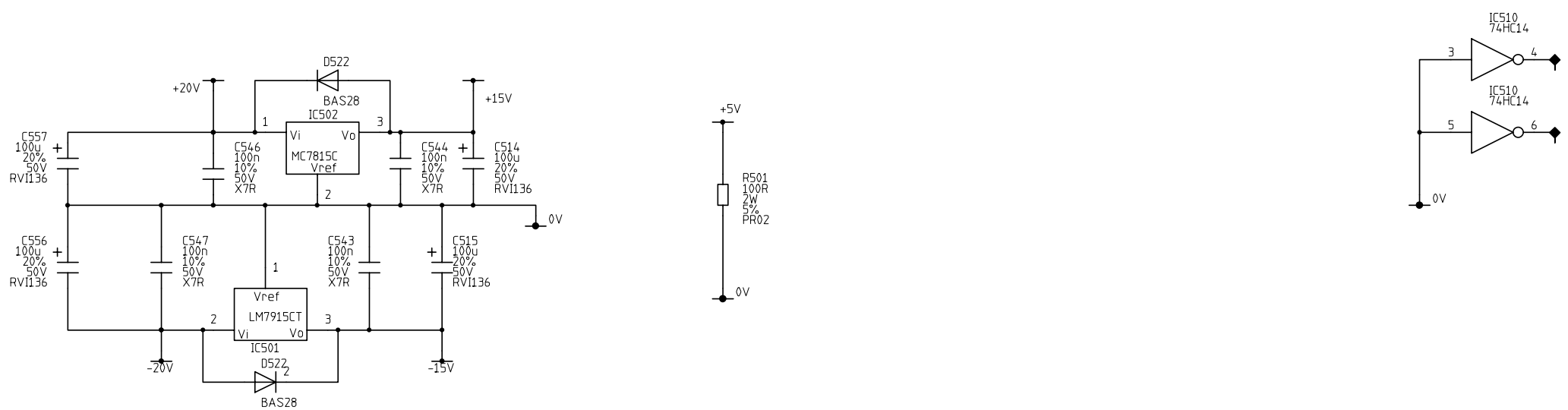
CONTROL TECHNIQUES
A DIVISION OF EMERSON ELECTRIC CO.
CONTROL TECHNIQUES Ltd. THE GRO. NEWTOWN UK SY16 3BE
Software Release: VB2000

Product name	Board Name	Drawing Name
COMM SE	RD50	FRAME 5 INTERFACE CARD
Sheet Title	GATE DRIVE INTERFACE	

DRG No.	ISSUE
7002-1041	02.02
SHT No.	SHT SIZE
3 of 5	A2

0 1 2 3 4 5 6 7 8 9

A
B
C
D
E
F



THIS DRAWING IS UNCONTROLLED WHEN PRINTED

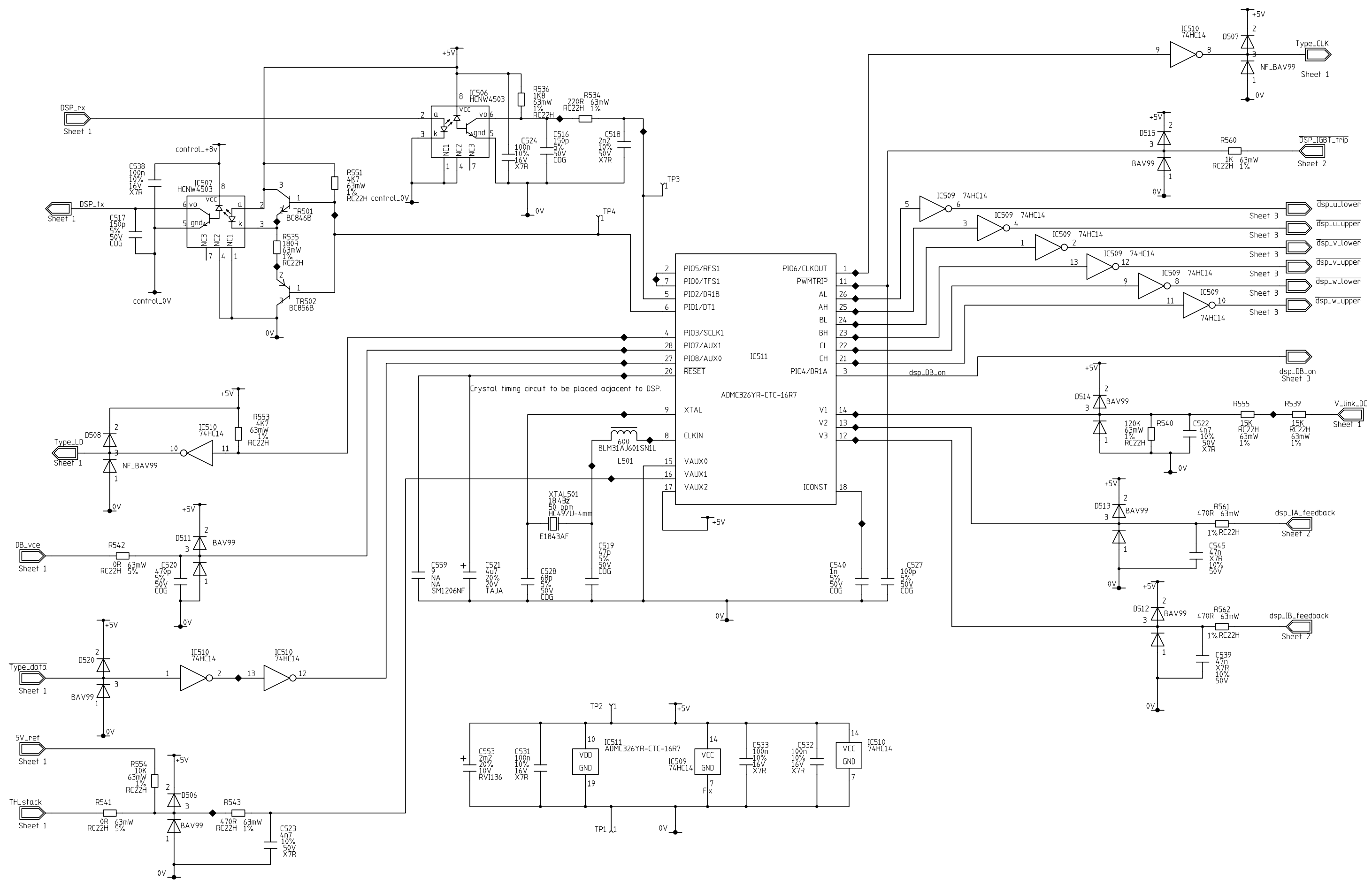
THE DESIGNS AND INFORMATION HELD ON THESE DRAWINGS ARE THE PROPERTY OF CONTROL TECHNIQUES Ltd. THEY MUST NOT BE COPIED IN ANY WAY, NOR USED BY OR COMMUNICATED TO THIRD PARTIES WITHOUT WRITTEN CONSENT.

Drawn	Checked	Approved
Initials	Checker	Approver
Date	Date	Date



Product name	Board Name	Drawing Name
COMM SE	RD50	FRAME 5 INTERFACE CARD
Sheet Title	AUX PSU	

DRG No.	ISSUE
7002-1041	02.02
SHT No.	SHT SIZE
4 of 5	A2



THIS DRAWING IS UNCONTROLLED WHEN PRINTED

THE DESIGNS AND INFORMATION HELD ON THESE DRAWINGS ARE THE PROPERTY OF CONTROL TECHNIQUES Ltd. THEY MUST NOT BE COPIED IN ANY WAY, NOR USED BY OR COMMUNICATED TO THIRD PARTIES WITHOUT WRITTEN CONSENT.

Drawn	Checked	Approved
Initials	Checker	Approver
Date	Date	Date



Product name	Board Name	Drawing Name
COMM SE	RD50	FRAME 5 INTERFACE CARD
Sheet Title	DSP AND COMMS	

DRG No.	ISSUE
7002-1041	02.02
SHT No.	SHT SIZE
5	A2